

◆ Features

- * Voice time capacity in 3 , 6 , 9 , 12 , 18 and 24 seconds for 6 kinds mask IC body available

HK163 for 3 sec voice IC body	HK1612 for 12 sec voice IC body
HK166 for 6 sec voice IC body	HK1618 for 18 sec voice IC body
HK169 for 9 sec voice IC body	HK1624 for 24 sec voice IC body
- * Built in 255 voice step in the table , could be partitioned up to 32 voice group
- * Mask option for trigger input mode by ALONG type (one trigger key for one sound output) or MATRIX type (ROW1, ROW2, ROW3, ROW4 and COL1, COL2, COL3, COL4 for maximum to 16 trigger pins for 16 voice section option
- * Could be option Rosc with internal built in (OSC pin is open) or external type , sound quality can be modify from value adjusting of external Rosc .
- * Input trigger key can be programming by one shot , level hold , one shot re-trigger modeor other trigger mode .
- * 4 output pin (STS1, STS2, STS3, STS4) can be function programmable to audio output signal , LED flashing signal , sound stop pulse signal , sound stop high level or low level signal , or chip busy pulse and high level or low level signal .

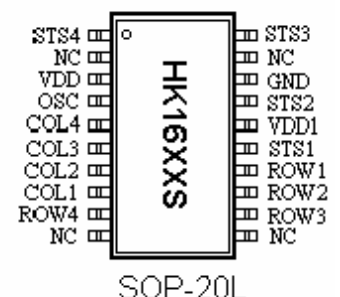
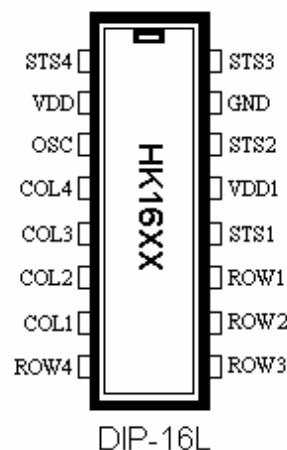
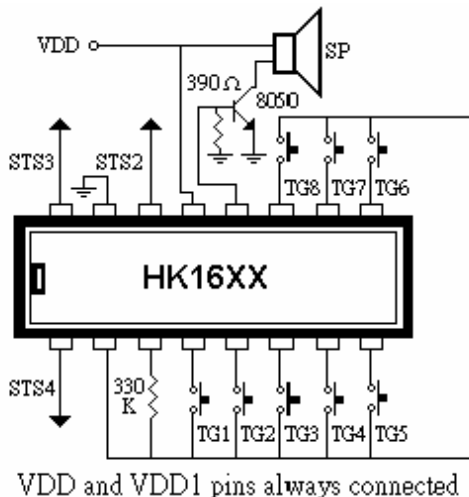
◆ Application

Security system, Toys, Alarm clock, Greeting card

◆ Electrical Characteristics

Characteristics	Sym.	Min.	Typ.	Max.	Unit	Remark
Operating voltage	VDD	2.4	3.0	5.1	V	
Operating current	I _{OP}	----	----	200	uA	VDD=3V , NO LOAD
Stand by current	I _{SB}	----	----	0.1	uA	
Oscillator frequency	F _{OSC}	----	1.0	----	MHz	Rosc ~ 330KΩ
Operation temperature	T _{EMP}	0	25	60	°C	
Driving current	I _O	----	10	----	mA	

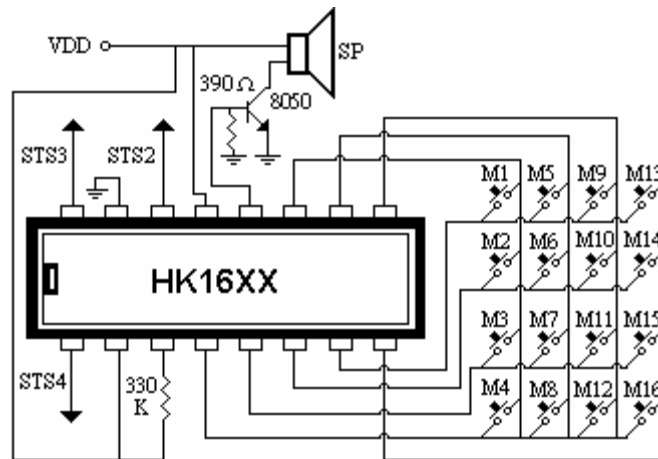
◆ Application circuit



★ PACKAGE TYPE : DIP-20L , SOP-20L

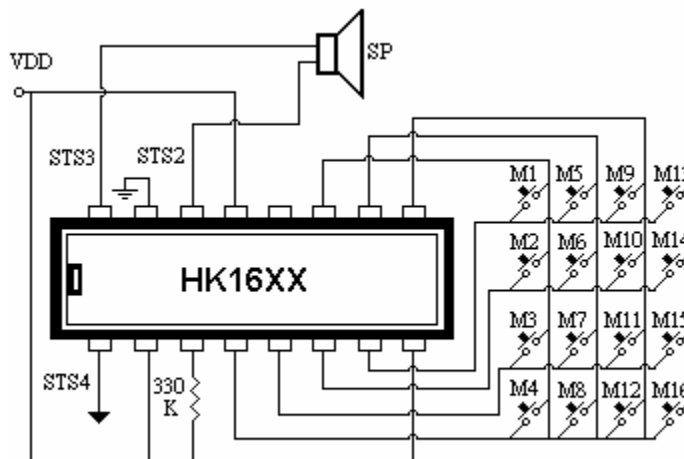
◆ Application circuit (II)

(A) 16 voice sections with 16 matrix trigger keys with transistor for output amplifier



VDD and VDD1 pins always connected

(B) 16 voice sections with 16 matrix trigger keys with drive speaker directly



VDD and VDD1 pins always connected