

## LED BLINKING IC

## 1 LED BLINKING WITH ONE SHOT MODE

### ◆ Features

- \* Built in oscillator resistor blinking time & blinking frequency are fixed
- \* Duty cycle is built in and fixed on 1/2
- \* Trigger mode ( TG ) by one shot non re-trigger type

P/N	Time	Blinking	Frequency
HK3260-3	5.72 Sec.	16 Times	2.8 Hz
HK3260-4	5 Sec.	8 Times	1.6 Hz

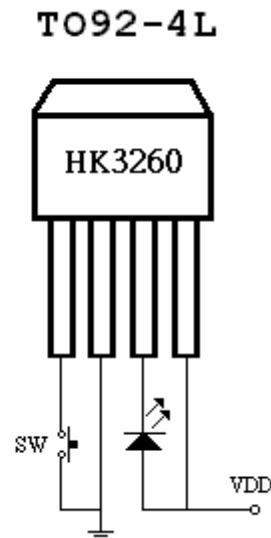
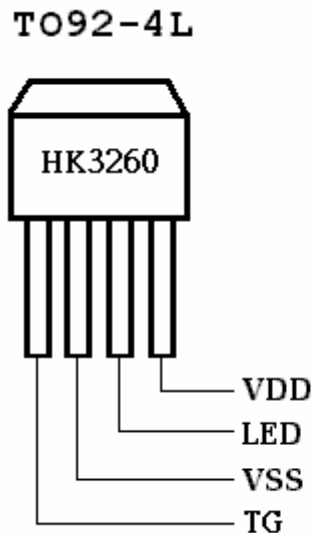
### ◆ Application

Bicycle / Motorcycle light, Toys, Key Chain

### ◆ Electrical Characteristics

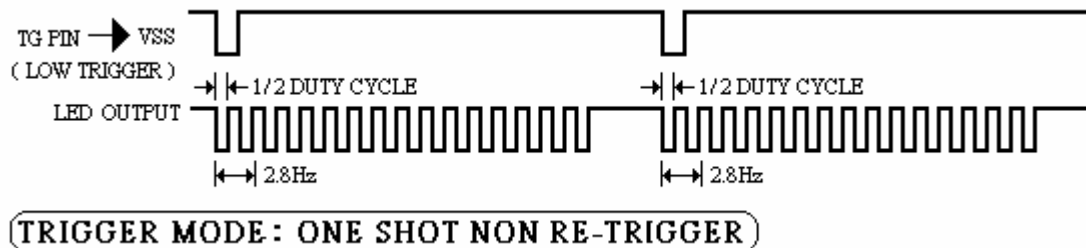
Characteristics	Sym.	Min.	Typ.	Max.	Unit	Remark
Operating voltage	V <sub>DD</sub>	1.35	3	5	V	
Operating current	I <sub>OP</sub>	----	0.1	0.5	mA	No Load
Stand by current	I <sub>SB</sub>	----	1	5	uA	
Oscillator frequency	F <sub>OSC</sub>	----	64	----	KHz	±20%
Operating temperature	T <sub>EMP</sub>	0	25	60	°C	
Driving current	I <sub>O</sub>	30	----	----	mA	@ V <sub>DS</sub> =3.0V

### ◆ Application circuit



- ★ PACKAGE TYPE : TO92-4L
- ★ Trigger Mode and Timing Chart :

( A ) HK3260-3 Timing chart



( B ) HK3260-4 Timing chart

