

HK526B

WIRELESS DOOR BELL IC

REMOTE CONTROL WITH 2 SOUNDS

Features

- * Oscillator frequency matched to the ENCODER HK526E
- * $2^8 = 256$ set address bus for "0", "1" binary setting
- * With 3 cycles check signal each time
- * Can be option DING-DONG or DING-DING sound for output
- * Can be sound option with 1 time or 2 time for output
- * RC circuit for envelope effect for sound quality adjusting

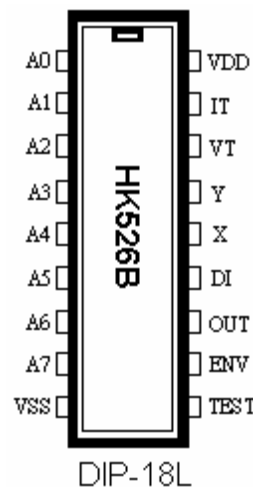
General Description

The HK526B is a CMOS ASIC IC for wireless door bell receiver used. It will receive the encoding signal from HK526E (encoder) with a DING-DONG or DING-DING output if addresses bus setting are checked the same.

Application

- * Wireless door bell
- * Visitor chime
- * Security system etc....

PinOut Diagram



Pin Assignment

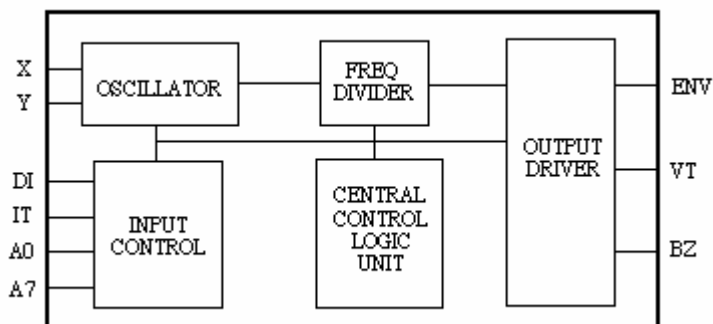
PIN NO	PIN NAME	DESCRIPTION
1	A0	2 States address inputs
2	A1	2 States address inputs
3	A2	2 States address inputs
4	A3	2 States address inputs
5	A4	2 States address inputs
6	A5	2 States address inputs
7	A6	2 States address inputs
8	A7	2 States address inputs
9	VSS	Negative power supply
10	TEST	Test pin
11	ENV	Envelope sound effect
12	OUT	Audio output
13	DI	Data input
14	X	Oscillator input
15	Y	Oscillator output
16	VT	Valid transmit indicate signal
17	1T	Option 1 time or 2 times for sound output
18	VDD	Positive power supply

HK526B

WIRELESS DOOR BELL IC

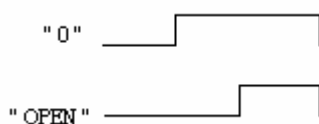
REMOTE CONTROL WITH 2 SOUNDS

Block Diagram

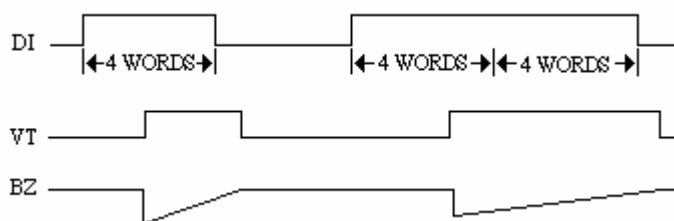


Timing Waveform

Bit Format



Timing Diagram



Maximum Rating (TA = 25°C)

Parameter	Rating	Unit
Supply Voltage	-0.3 ~ 5.0	V
Input Voltage	-0.2 ~ VDD + 0.2	V
Operating Temperature	-20 ~ 75	°C
Storage Temperature	-50 ~ 125	°C

Electrical Characteristics (VDD = 4.5V unless otherwise specified)

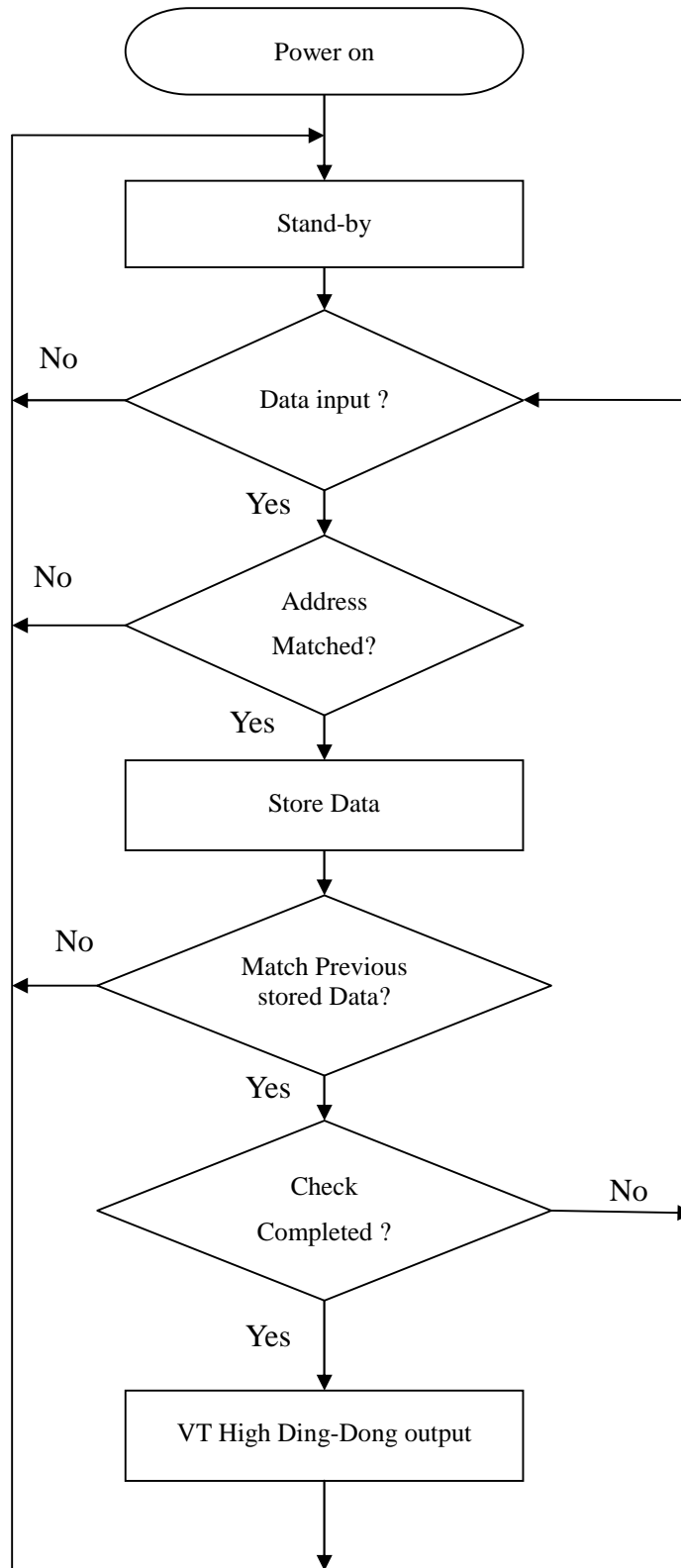
Parameter	Symbol	Conditions	Min	Typ	Max	Unit
Operating Voltage	VDD		2.1	3.0	4.5	V
Quiescent Current	ISB		-	1	10	uA
Operating Current	IOP	No load	-	0.3	1	mA
Output Drive Current	Io	@ Vds = 1.2 V	1	-	-	mA
Input Voltage	VIH		VDD - 0.2	VDD	VDD	V
	VIL		VSS	VSS	VSS + 0.2	V
Oscillator Frequency	FOSC	External +/- 30%	-	200	-	KHz

HK526B

WIRELESS DOOR BELL IC

REMOTE CONTROL WITH 2 SOUNDS

Operating Flowchart

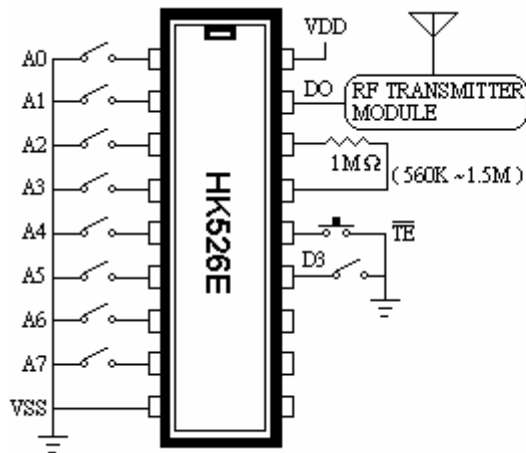


HK526B

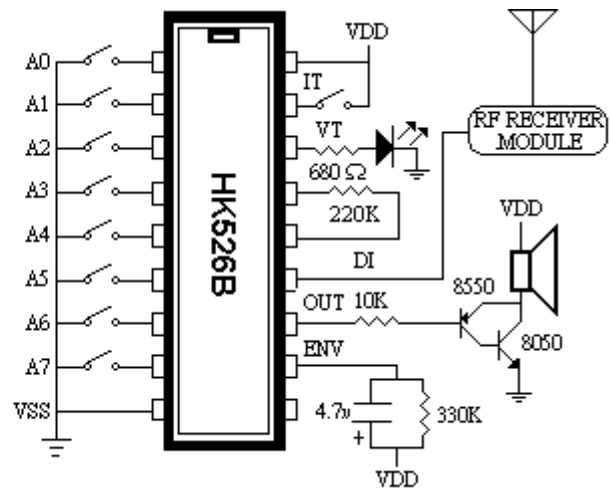
WIRELESS DOOR BELL IC

REMOTE CONTROL WITH 2 SOUNDS

Application Circuit



D3 pin	Sound Effect
OPEN	DING - DONG
VSS	DING - DING



1T pin	Sound Output
OPEN	2 Times
VDD	1 Time