

◆ Features

- * With 3 sections control for
Weak light → Middle light → Strong light → Cut off
- * High sensitivity and stability for touch switching
- * Can be option through resistor adjusting by 110ACV/Hz or 220ACV/ 50Hz for input power
- * Less peripheral components required

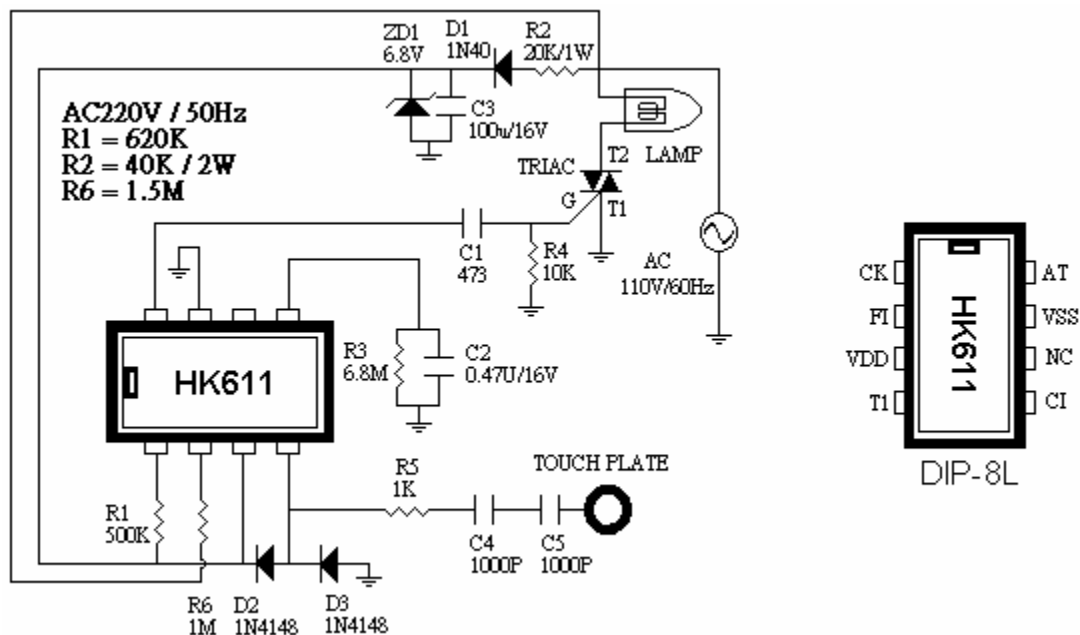
◆ Application

Home light, AC motor control, Home security system

◆ Electrical Characteristics

Characteristics	Sym.	Min.	Typ.	Max.	Unit	Remark
Operating voltage	V _{DD}	5	6	7.8	V	
Operating current	I _{OP}	----	2	----	mA	NO LOAD
Stand by current	I _{SB}	----	10	----	uA	
Oscillator frequency	F _{OSC}	----	98	----	KHz	
Operating temperature	T _{EMP}	0	25	60	°C	
Driving current	I _O	1	----	----	mA	@ V _{DS} =1V

◆ Application circuit



★ PACKAGE TYPE : DIP-8L