

◆ Features

- * With 4 sections control for
Weak light → Mood light → Middle light → Strong light → Cut off
- * High sensitivity and stability for touch switching
- * Can be option through resistor adjusting by 110ACV/60Hz or 220ACV/60Hz for input power
- * Less peripheral components required

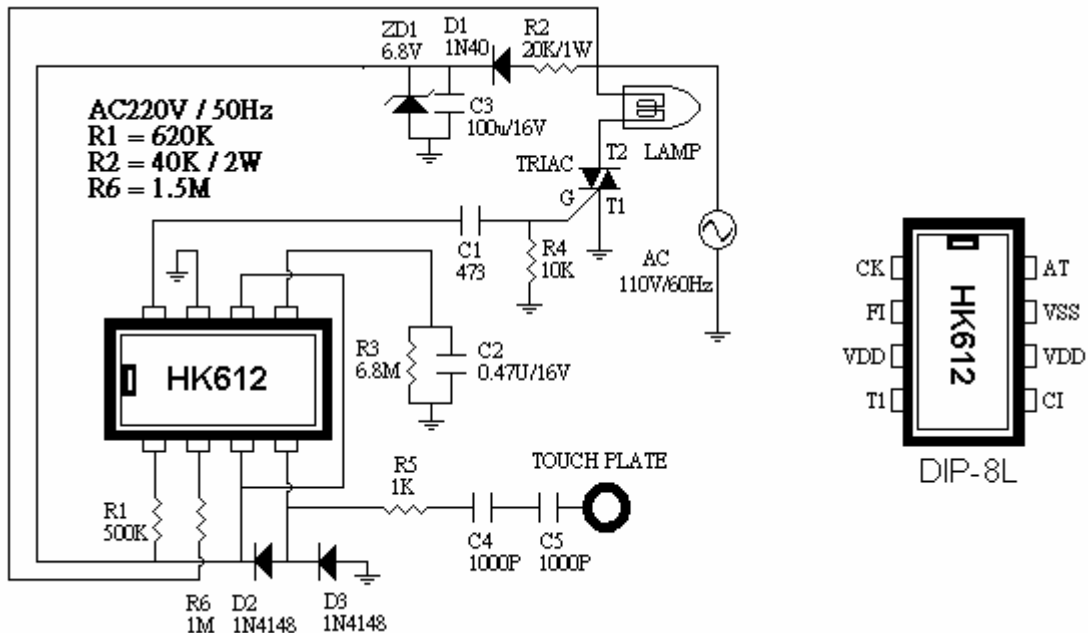
◆ Application

Home light, AC motor control, Home security system

◆ Electrical Characteristics

| Characteristics | Sym. | Min. | Typ. | Max. | Unit | Remark |
|-----------------------|------------------|------|------|------|------|-----------------------|
| Operating voltage | V _{DD} | 5 | 6 | 6.8 | V | |
| Operating current | I _{OP} | ---- | 2 | ---- | mA | NO LOAD |
| Stand by current | I _{SB} | ---- | 10 | ---- | uA | |
| Oscillator frequency | F _{OSC} | ---- | 98 | ---- | KHz | |
| Operating temperature | T _{EMP} | 0 | 25 | 60 | °C | |
| Driving current | I _O | 1 | ---- | ---- | mA | @ V _{DS} =1V |

◆ Application circuit



★ PACKAGE TYPE : DIP-8L