

◆ Features

- * Non-volatile Flash memory technology, no external ICs required
- * User-selectable message record , options by 1,2,4 message
- * DAC and PWM module with high quality analog to digital, resolution up to 16-bits
- * Configurable analog interface, differential-ended MIC pre-amplifier for low noise
- * Max recording time capacity by 60 second base on voice sample rate

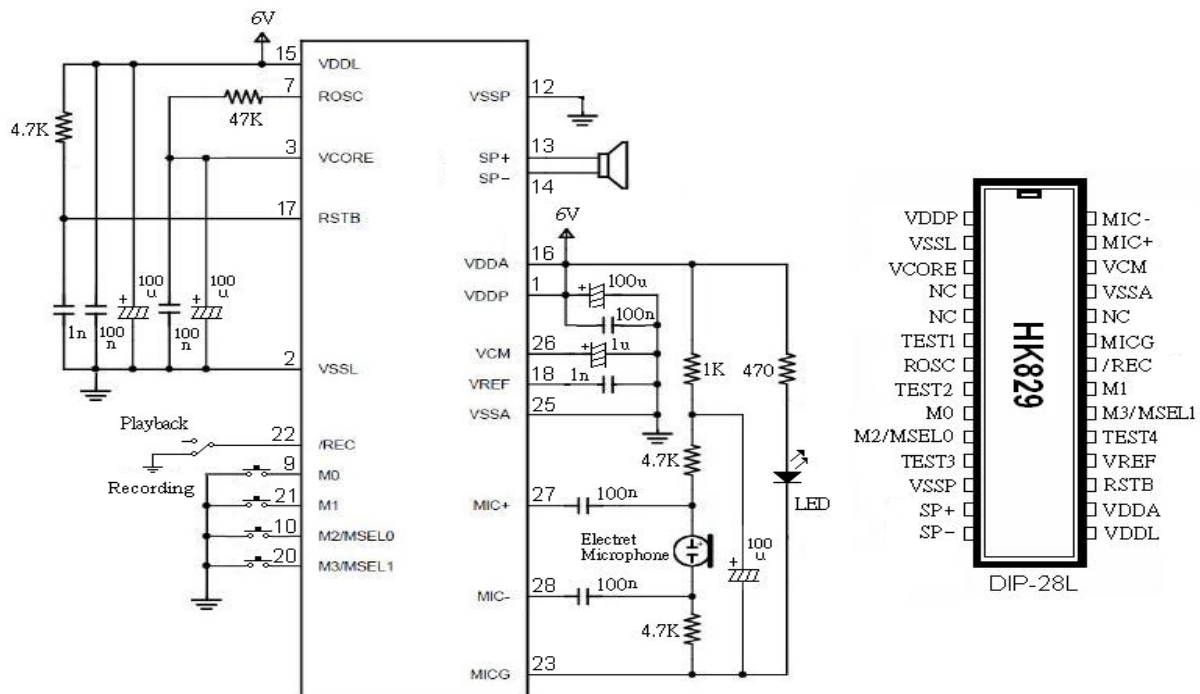
◆ Application

Security system, Elevator system, Home appliance

◆ Electrical Characteristics

Characteristics	Sym.	Min.	Typ.	Max.	Unit	Remark
Operating voltage	V _{DD}	4.5	6.0	6.9	V	
Operating current	I _{OP}	----	5	15	mA	NO LOAD
Stand by current	I _{SB}	----	1		uA	
Sampling frequency	F _{OSC}	----	12	----	KHz	Rosc= 47KΩ
Operating temperature	T _{EMP}	0	25	60	°C	
Driving current	I _O	----	2	----	mA	

◆ Application circuit



★ PACKAGE TYPE : DIP-28L