

◆ Features

- * Fixed duty cycle 1/6
- * Can be option trigger mode by ON/OFF pin to control always LED blinking or off
- * Can be option trigger mode by ONE SHOT pin , one trigger to resent 32 cycle in output
- * RD pin → connect to VSS , all LED will be sequence blinking
RD pin → open , all LED will be random blinking

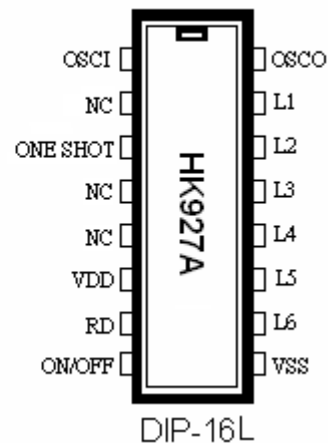
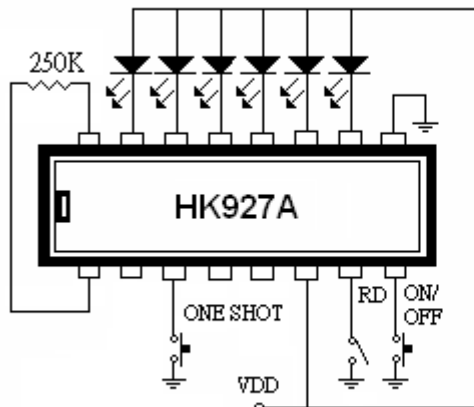
◆ Application

Bicycle/Motorcycle light, Traffic direction sign box, Security system, Toys

◆ Electrical Characteristics

Characteristics	Sym.	Min.	Typ.	Max.	Unit	Remark
Operating voltage	V _{DD}	1.5	3	4.5	V	
Operating current	I _{OP}	----	0.1	0.5	mA	No Load
Stand by current	I _{SB}	----	1	5	uA	
Oscillator frequency	F _{OSC}	----	64	----	KHz	
Operating temperature	T _{EMP}	0	25	60	°C	
Driving current	I _O	25	----	----	mA	@ V _{DS} =3.0V

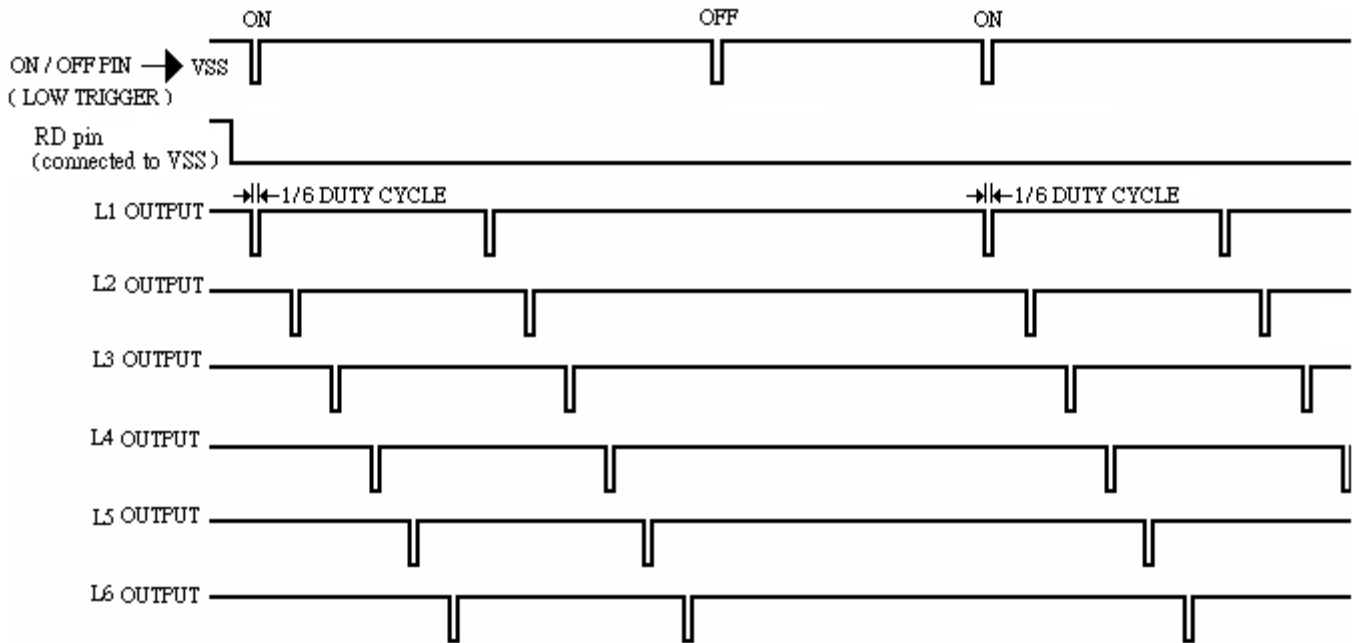
◆ Application circuit



★ Package Type : DIP-16L

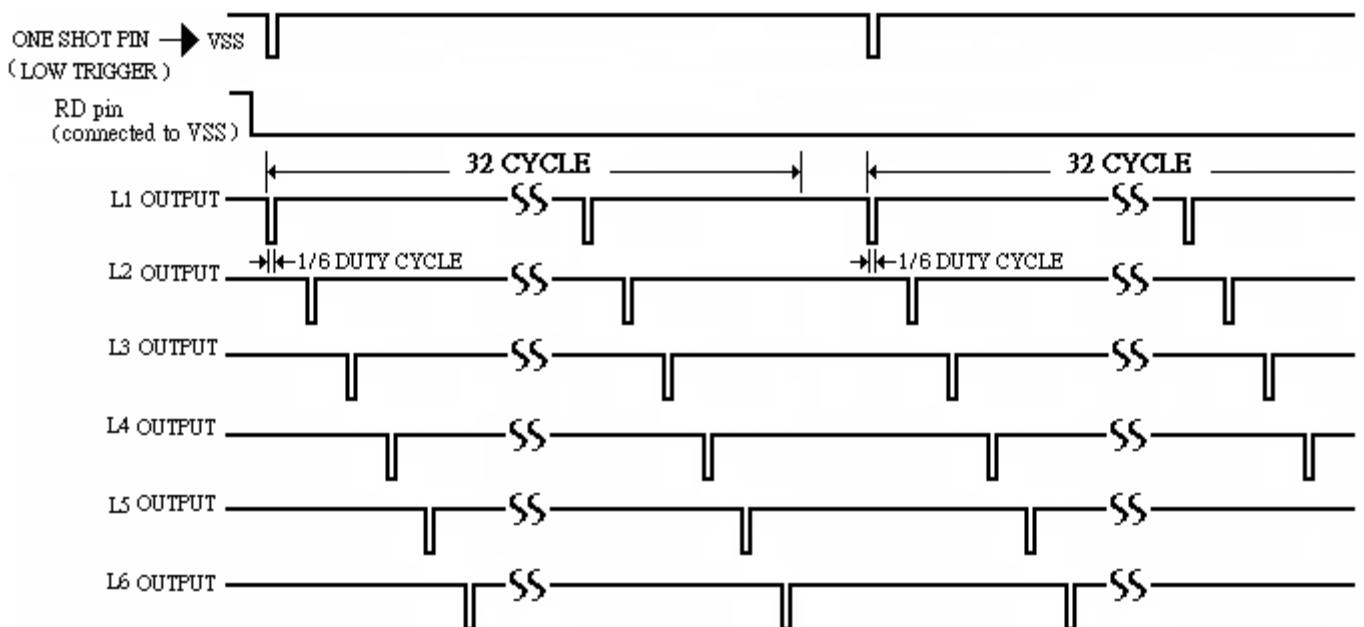
★ Trigger Mode and Timing Chart :

(A) ON/OFF Pin Trigger :



TRIGGER MODE : ON/OFF SWITCH

(B) ONE SHOT Pin Trigger :



TRIGGER MODE : ONE SHOT