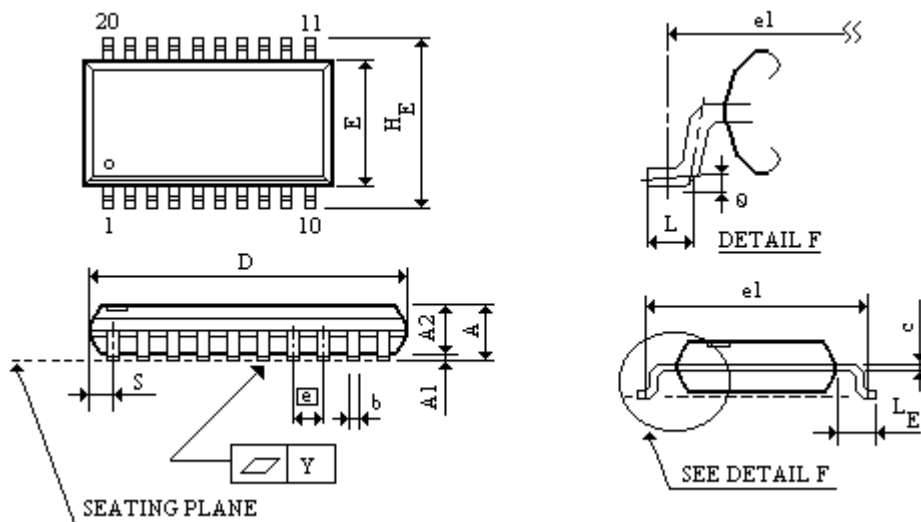


SOP-20L Outline Dimensions

Unit : inches / mm



Symbol	Dimensions in inches	Dimensions in mm
A	0.106 Max.	2.69 Max.
A1	0.004 Min.	0.10 Min.
A2	0.092 ±0.005	2.33 ±0.13
b	+0.004 0.016 -0.002	+0.10 0.41 -0.05
C	+0.004 0.010 -0.002	+0.10 0.25 -0.05
D	0.504 Typ. (0.524 Max.)	12.80 Typ. (13.31 Max.)
E	0.295 ±0.010	7.49±0.25
e	0.050 ±0.006	1.27±0.15
e1	0.376 NOM.	9.50 NOM.
H _E	0.406 ±0.012	10.31 ±0.31
L	0.032 ±0.008	0.81 ±0.20
L _E	0.055 ±0.008	1.40 ±0.20
S	0.042 Max.	1.07 Max.
y	0.006 Max.	0.15 Max.
θ	0° ~ 10°	0° ~ 10°

Notes:

1. The maximum value of dimension D includes end flash.
2. Dimension E1 does not include resin fins.
3. Dimension S includes end flash.
4. All dimensions are based on the British system.